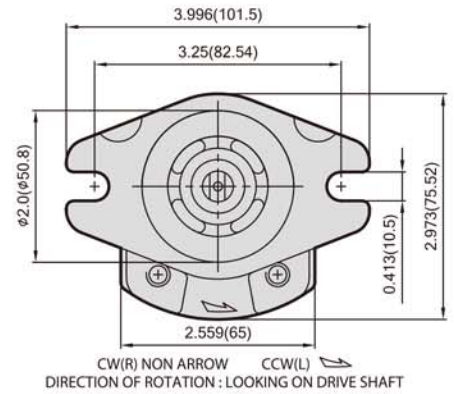
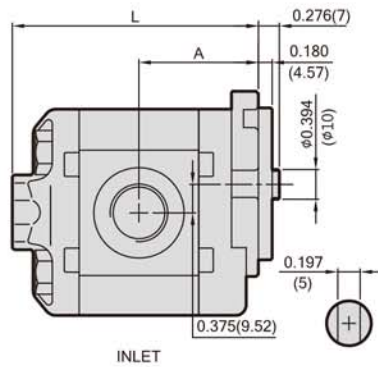


OVERALL DIMENSIONS



ORDERING EXAMPLE

For Example **1** **P** **M** **1** **U** **□□** **□**
 SERIES TYPE FLANGE SHAFT PORT DISPL. ROTATION

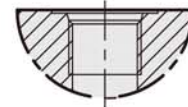
If you need pump with displ.0.19 c.i.r and rotation is cw, the model number is: **1PM1U03R**

PERFORMANCE DATA

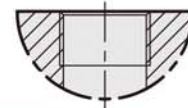
MODEL	DISPLACEMENT		PRESSURE psi(MPa)		RPM RANGE	DIMENSIONS inch (mm)		WEIGHT	
	c.i.r	cm ³ /r	CONTINUOUS	MAX.		A	L	Kg	LBS
05	0.05	0.8	3000(21)	3600(25)	600 4000	1.476(37.5)	3.050(77.5)	0.76	1.67
01	0.06	1.1	3000(21)	3600(25)		1.496(38.0)	3.090(78.5)	0.77	1.69
13	0.08	1.3	3000(21)	3600(25)		1.516(38.5)	3.129(79.5)	0.78	1.72
16	0.10	1.6	3000(21)	3600(25)		1.535(39.0)	3.169(80.5)	0.79	1.74
02	0.13	2.1	3000(21)	3600(25)		1.575(40.0)	3.247(82.5)	0.82	1.80
26	0.16	2.6	3000(21)	3600(25)	600 (*2500)	1.614(41.0)	3.326(84.5)	0.84	1.85
03	0.19	3.2	3000(21)	3600(25)		1.654(42.0)	3.405(86.5)	0.87	1.91
37	0.22	3.7	3000(21)	3600(25)		1.693(43.0)	3.483(88.5)	0.89	1.96
04	0.25	4.2	2550(18)	3000(21)		1.732(44.0)	3.562(90.5)	0.91	2.00
05	0.29	4.8	2550(18)	3000(21)		1.772(45.0)	3.641(92.5)	0.95	2.09
06	0.35	5.8	1980(14)	2300(16)	600 (*2500)	1.850(47.0)	3.798(96.5)	1.00	2.20
07	0.48	7.9	1980(14)	2300(16)		2.008(51.0)	4.113(104.5)	1.08	2.38
09	0.54	8.8	1980(14)	2300(16)		2.087(53.0)	4.271(108.5)	1.13	2.50

*More then 2500 qualified per applications.

PORTS

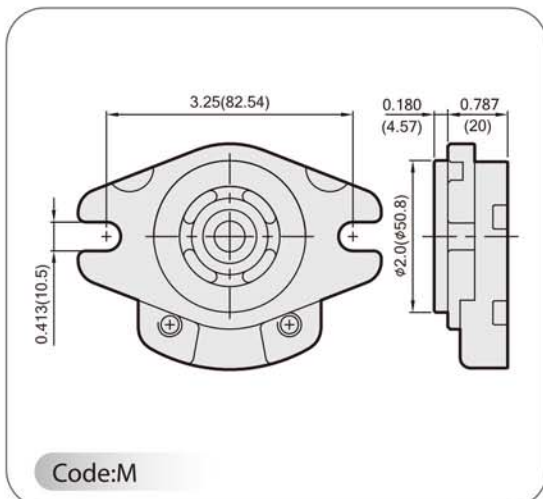


Code	INLET	OUTLET
U	UNF# 8 3/4"-16	UNF# 6 9/16"-18



Code	INLET	OUTLET
P	PT 1/2"	PT 3/8"
N	NPT 1/2"	NPT 3/8"
B	BSPF 1/2"	BSPF 3/8"

MOUNTING FLANGES



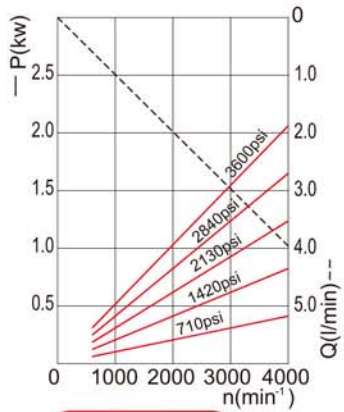
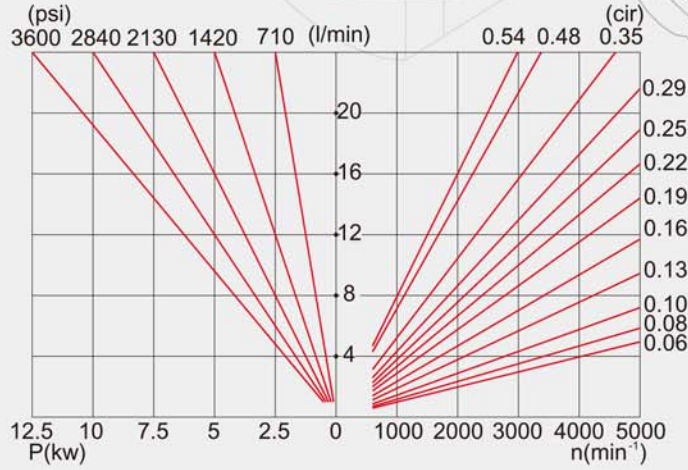
DRIVE SHAFTS

Code:1

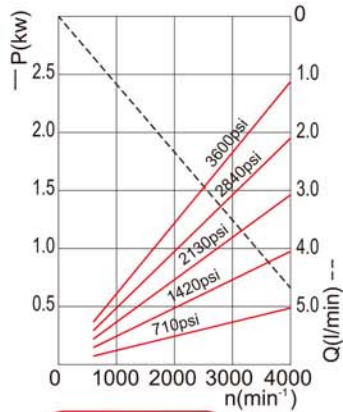
Code:2(coupling)

Code:3(coupling)

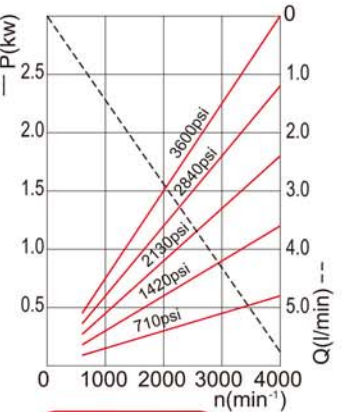
Code:6(coupling)



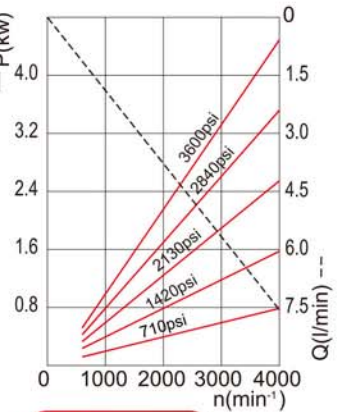
MODEL:01



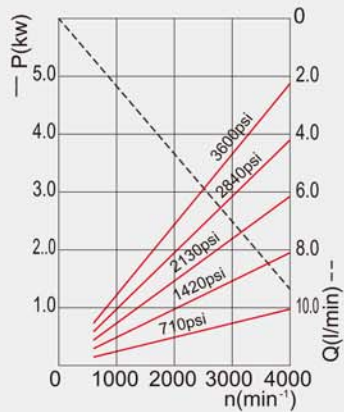
MODEL:13



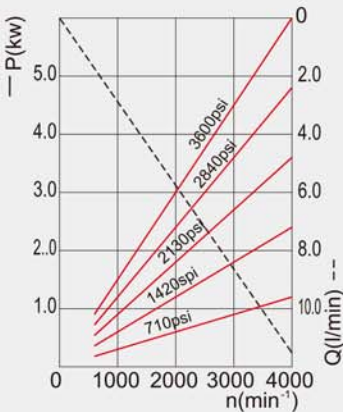
MODEL:16



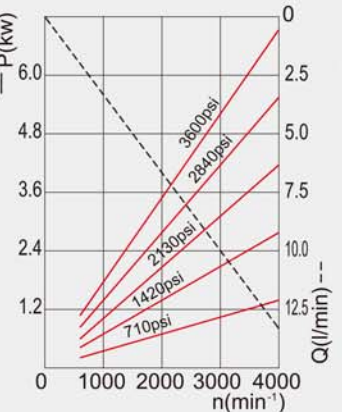
MODEL:02



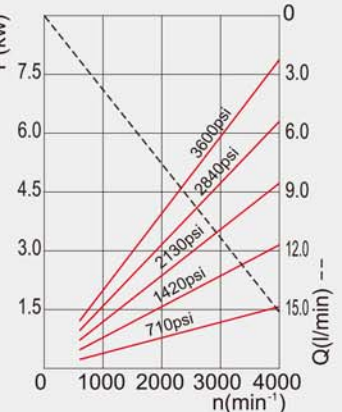
MODEL:26



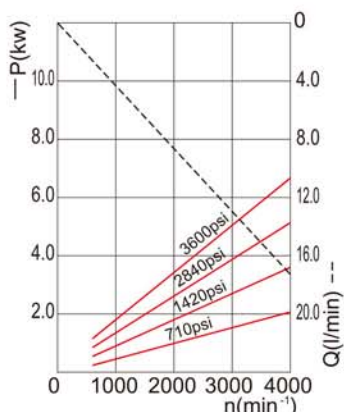
MODEL:03



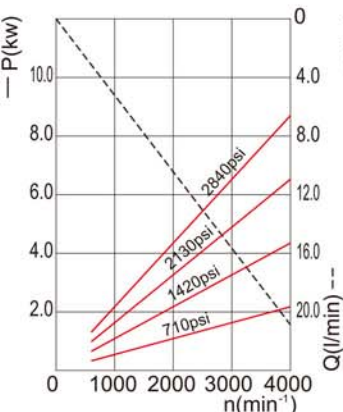
MODEL:37



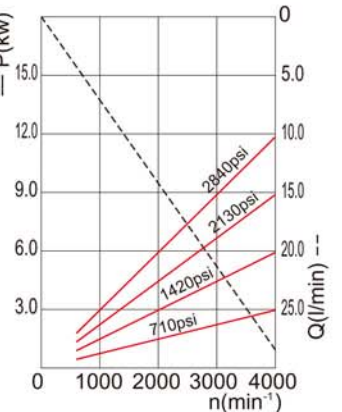
MODEL:04



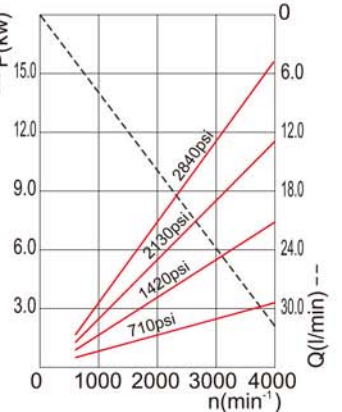
MODEL:05



MODEL:06



MODEL:07



MODEL:09