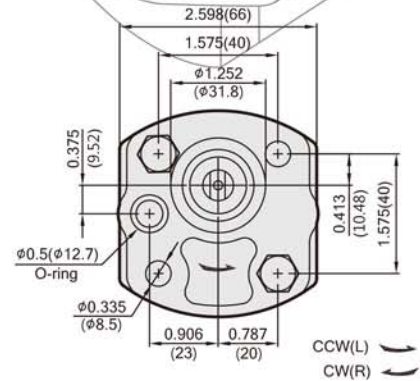
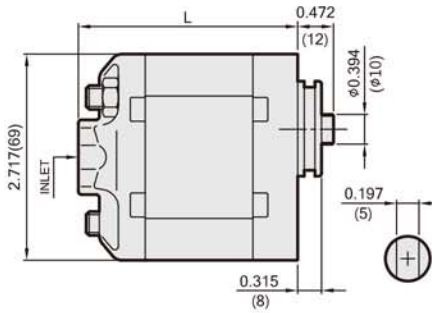


OVERALL DIMENSIONS



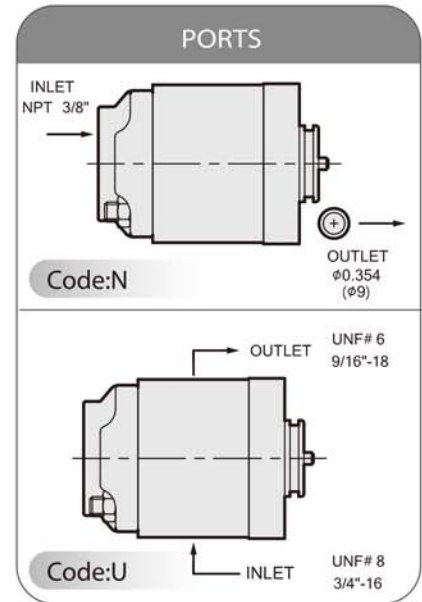
ORDERING EXAMPLE

For Example **1** **K** **H** **1** **N** **□□** **□**
 SERIES TYPE FLANGE SHAFT PORT DISPL. ROTATION
 If you need pump with displ.0.19 c.i.r and rotation is cw, the model number is: **1KH1N03R**

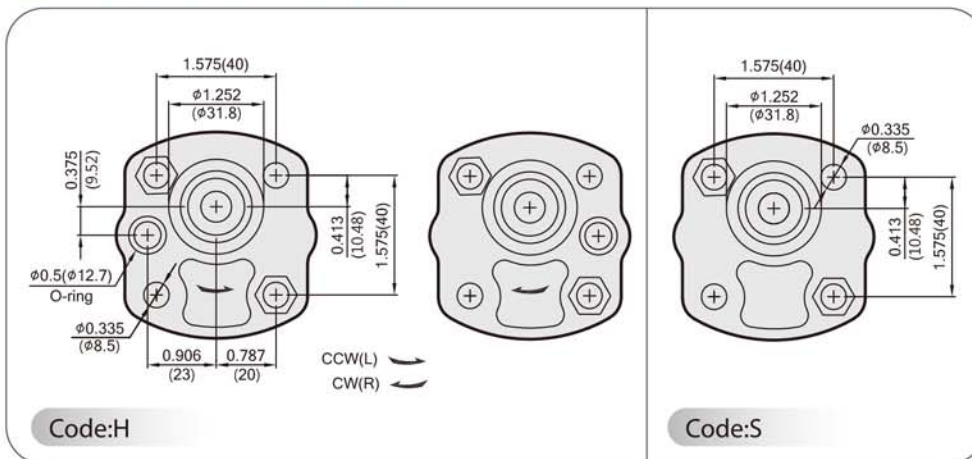
PERFORMANCE DATA

MODEL	DISPLACEMENT		PRESSURE psi(MPa)		RPM RANGE	DIMENSIONS inch (mm)		WEIGHT	
	c.i.r	cm ³ /r	CONTINUOUS	MAX.		L	Kg	LBS	
05	0.05	0.8	3000(21)	3600(25)	600	2.854(72.5)	0.68	1.49	
01	0.06	1.1	3000(21)	3600(25)		2.893(73.5)	0.69	1.52	
13	0.08	1.3	3000(21)	3600(25)		2.932(74.5)	0.70	1.53	
16	0.10	1.6	3000(21)	3600(25)		2.972(75.5)	0.71	1.55	
02	0.13	2.1	3000(21)	3600(25)		3.050(77.5)	0.74	1.62	
26	0.16	2.6	3000(21)	3600(25)	4000	3.129(79.5)	0.76	1.66	
03	0.19	3.2	3000(21)	3600(25)		3.208(81.5)	0.79	1.73	
37	0.22	3.7	3000(21)	3600(25)		3.287(83.5)	0.81	1.77	
04	0.25	4.2	2550(18)	3000(21)	600 (*)2500	3.365(85.5)	0.83	1.82	
05	0.29	4.8	2550(18)	3000(21)		3.444(87.5)	0.87	1.90	
06	0.35	5.8	1980(14)	2300(16)		3.602(91.5)	0.92	2.01	
07	0.48	7.9	1980(14)	2300(16)		3.916(99.5)	1.00	2.19	
09	0.54	8.8	1980(14)	2300(16)		4.074(103.5)	1.05	2.30	

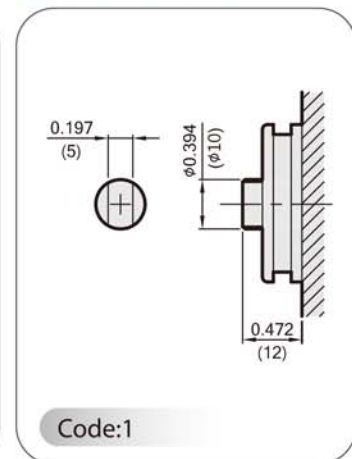
*More than 2500 qualified per applications.

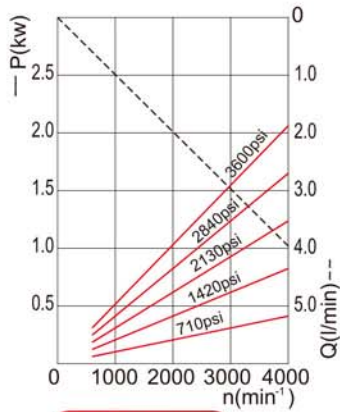
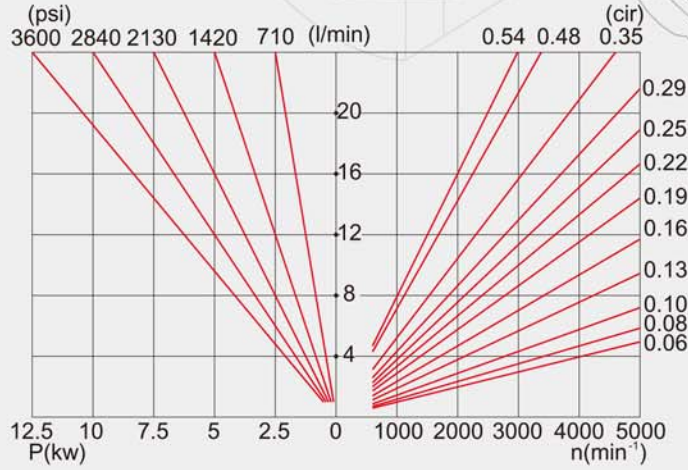


MOUNTING FLANGES

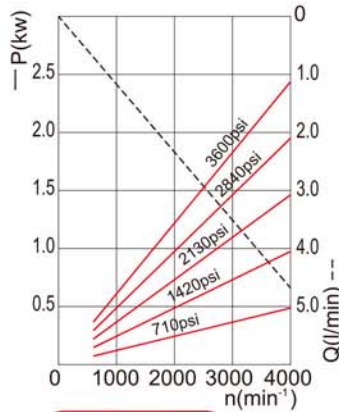


DRIVE SHAFTS

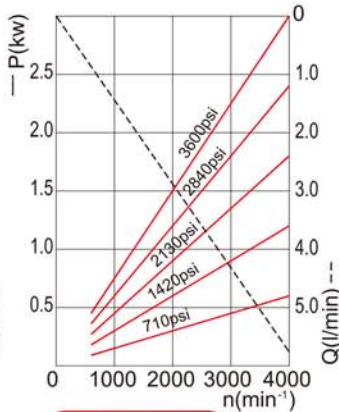




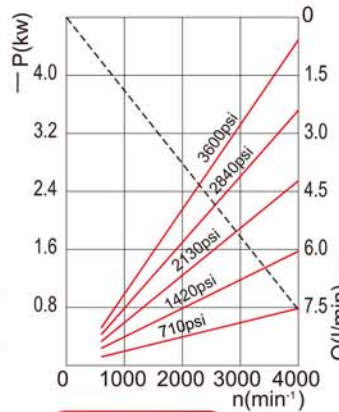
MODEL:01



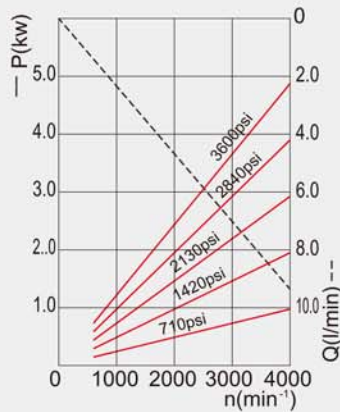
MODEL:13



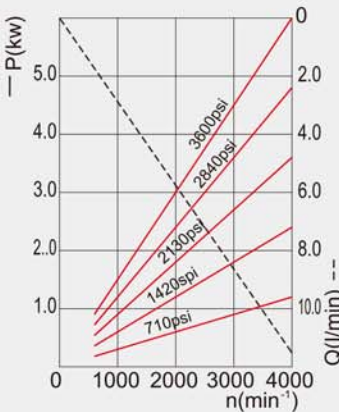
MODEL:16



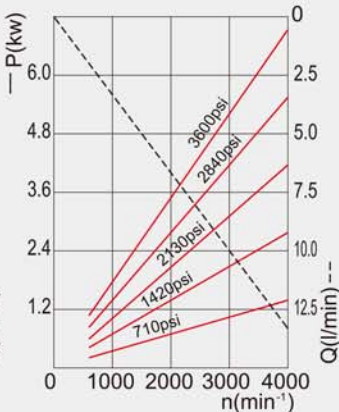
MODEL:02



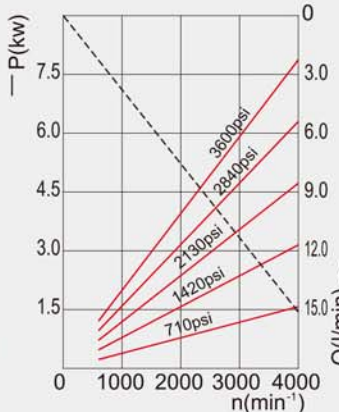
MODEL:26



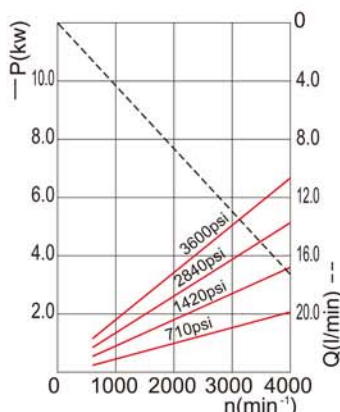
MODEL:03



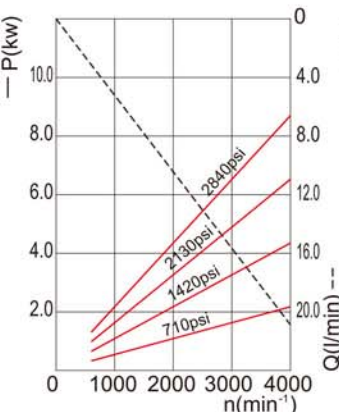
MODEL:37



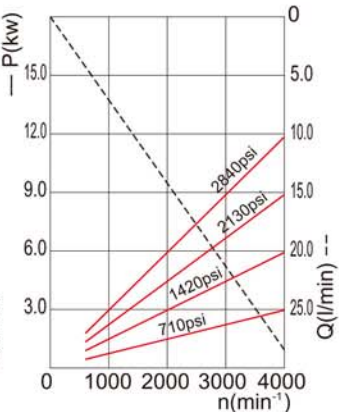
MODEL:04



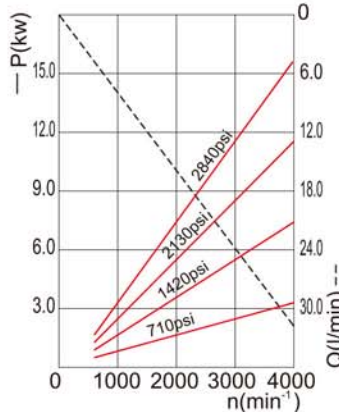
MODEL:05



MODEL:06



MODEL:07



MODEL:09