

JP-NV Series Needle Valves



Features

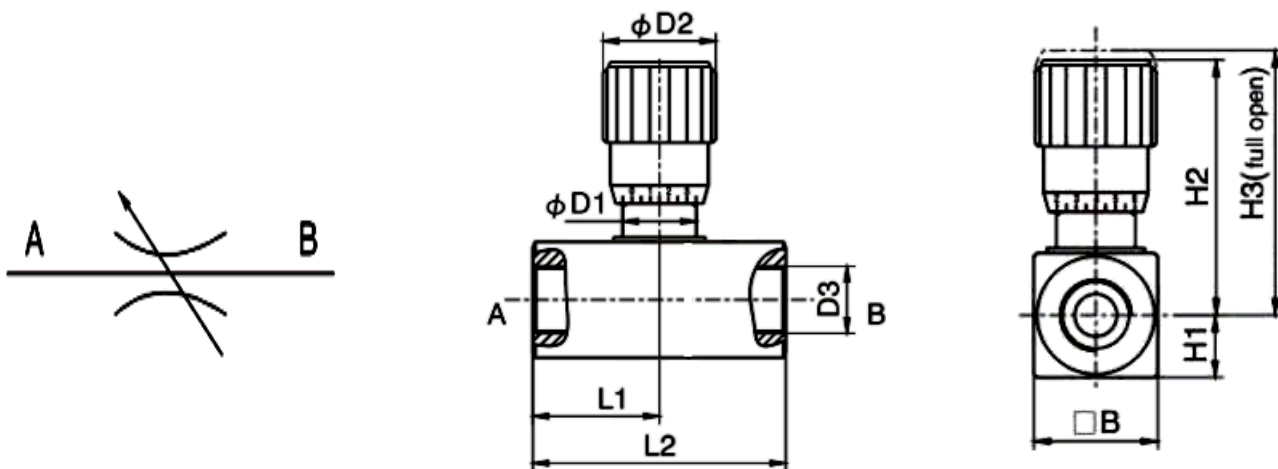
Micrometer adjustment knob for accurate valve setting
Rugged construction

Technical Data

Materials: Body: Carbon steel with black oxide plating
 Handle: Zinc Alloy
 Set Screw: Steel
 Packing: Buna O-Ring/PTFE stem packing

Maximum Pressure: 5000 PSI

Temperature Range: -4°F to 176°F (-20°C to 80°C)



Ordering & Dimensional Information

Part Number	B	D1	D2	D3	H1	H2	H3	L1	L2	Weight
JP-NV-1/4-NPT-S	1.10	0.76	1.18	1/4 NPT	0.55	2.41	2.67	1.065	2.13	0.90 lbs
JP-NV-3/8-NPT-S	1.10	0.76	1.18	3/8 NPT	0.55	2.41	2.67	1.065	2.13	0.90 lbs
JP-NV-1/2-NPT-S	1.50	0.95	1.46	1/2 NPT	0.75	3.07	3.41	1.34	2.68	2.00 lbs
JP-NV-3/4-NPT-S	1.50	0.95	1.46	3/4 NPT	0.75	3.08	3.41	1.54	3.07	2.00 lbs
JP-NV-1-NPT-S	1.89	1.38	1.89	1 NPT	0.94	4.03	4.50	1.81	3.62	4.20 lbs
JP-NV-06-SAE-S	1.10	0.76	1.18	06 SAE	0.55	2.41	2.67	1.065	2.13	0.90 lbs